

proxind

VLP Parts Washer



The Parts Washer is usually used with eco-friendly detergents with enzymes/microbes able to break the chain of hydrocarbons, which make up the dirt, destroying them (bioremediation).

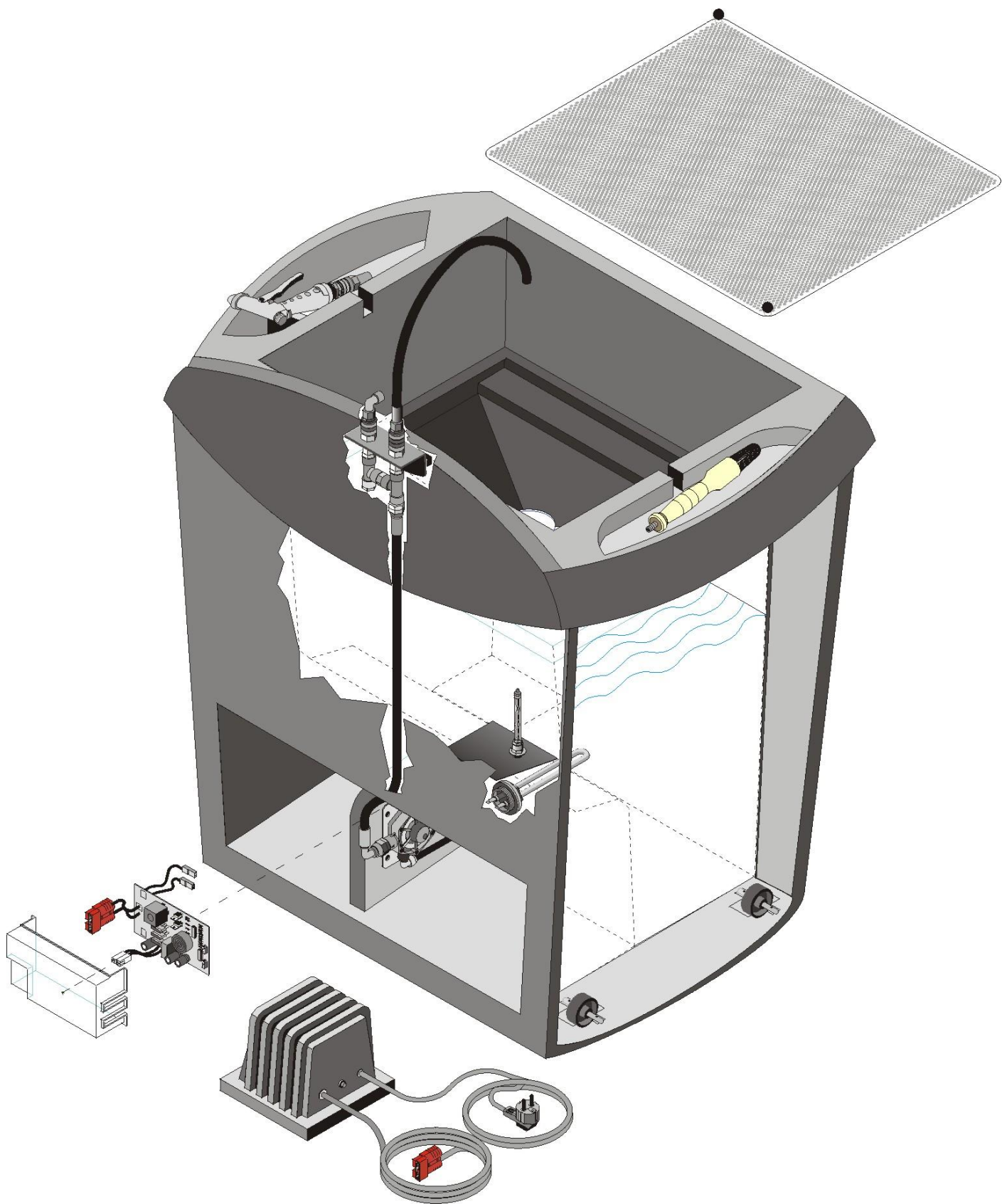
The Parts Washer anyway can also be used with water-based eco-friendly cleaning products.

Of course, in the case of using no enzymes/microbes, the dirty washing liquid and the cartridge must be disposed of at the end of life, in accordance with local regulations.

The Parts Washer is equipped with a temperature regulation to maintain the cleaning liquid at a higher than ambient temperature for a better cleaning effect.

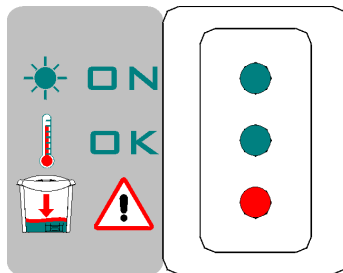
It has a great design, it's ergonomic and has a double wall construction for better thermal insulation; also it's a highly reliable machine.

EXPLODED VIEW



USE

- Place the Parts Washer in an easily accessible place for comfortable use. The movement of the parts washer is easy, thanks to the wheels it's equipped with.
- Set the heating temperature of the liquid, in relation to your needs.
- Connect the plug of the power supply cable to mains power (230 Vac); on the control panel, the green led "ON" and the red led (Low Level) will turn on.



- Pour 80 litres of cleaning liquid in the tank, through the workspace grille.



- Check on the control panel the lighting of the green led "OK" (start warming up the liquid). The red led (Low Level) should turn off.
- After some hours the liquid reaches the set temperature (The green led "OK" will turn off).

NOTE: the heating time depend on the initial temperature of the liquid.

- The temperature is then maintained by the electronic board, provided that the Parts Washer is connected to the power supply.

- The Parts Washer is ready for use.
- Place the parts to be cleaned on the working stainless steel grille.
- Connect the orientable hose and the spray gun.
- Open the tap corresponding to the tool to be used.
The pump is activated by the pedal, to deliver the liquid from the open tap.



- Clean the parts using the brush, the spray gun or directly under the orientable hose.

